

DESCRIPTION

AMC MODEL SWM-DJV-1DT-2ATT OPTION: 108M12 IS AN ABSORPTIVE/NON-REFLECTIVE SINGLE POLE SINGLE THROW SWITCH MODULE WITH VERY LOW VIDEO TRANSIENTS, ULTRA HIGH SPEED, HIGH ISOLATION AND WITH INTEGRAL TTL DRIVER DESIGNED TO OPERATE BETWEEN THE 1.8 TO 12 GHz FREQUENCY RANGE.

SPECIFICATIONS

- FREQUENCY RANGE:1.2 TO 12 GHz
- INSERTION LOSS:4.5 dB MAXIMUM
- ISOLATION:60 dB MINIMUM
- VSWR:IN/OUT: 2.0:1
OUT/OFF: 2.0:1
- RISE TIME:2 nSec MAXIMUM
- FALL TIME:2 nSec MAXIMUM
- DELAY ON:15 nSec MAXIMUM
- DELAY OFF:15 nSec MAXIMUM
- VIDEO TRANSIENT:20 mV P-P @ 300 MHz BANDWIDTH
4 mV P-P @ 20 MHz BANDWIDTH
- POWER INPUT:(CW)+20 dBm (STANDARD)
- SURVIVAL POWER:1 WATT CW, 10 WATTS PEAK 1 uSec
- CONTROL:TTL LOGIC "0" = ON
TTL LOGIC "1" = OFF
- POWER SUPPLY:-5V @ 25 mA MAXIMUM
- CONNECTORS:
 - RF:SMA FEMALE
 - CONTROL:SOLDER PIN
- SIZE:1.00" (L) x 1.00" (W) x 0.50" (H)
- WEIGHT:1.5 OUNCE TYPICAL

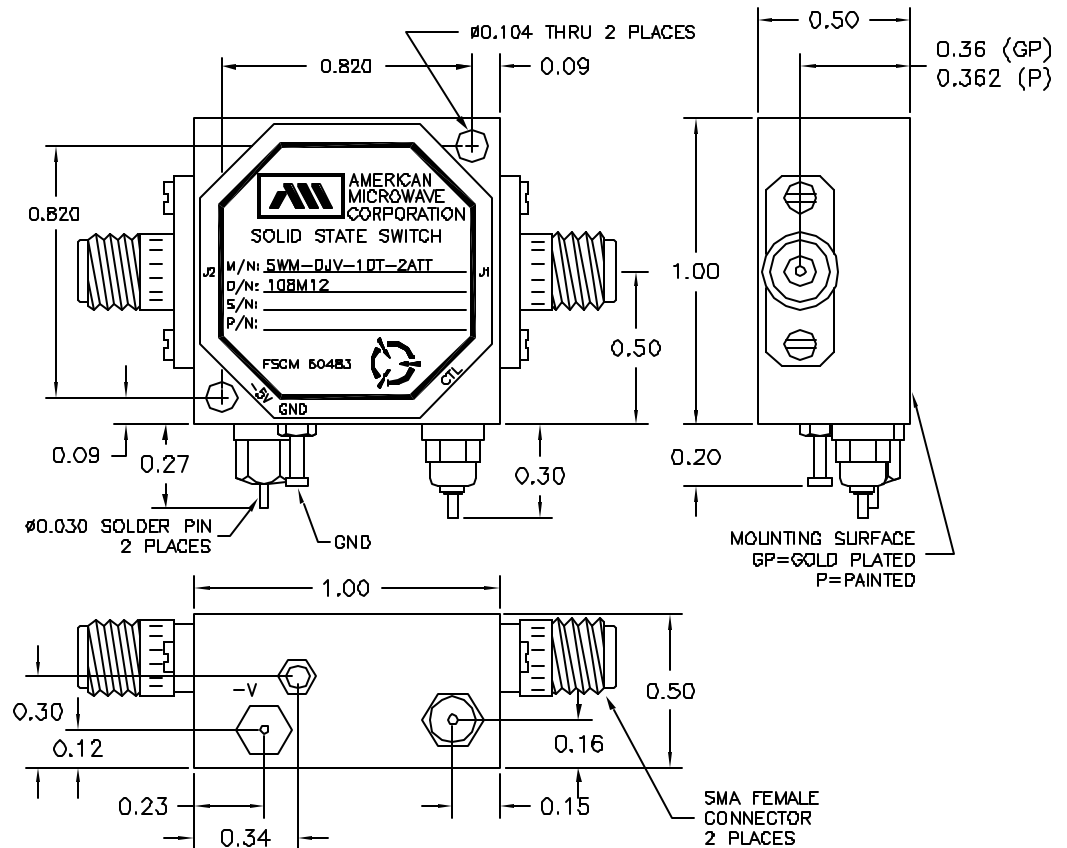
OPTIONS:

- 108M12:1.8 TO 12 GHz FREQUENCY RANGE

ENVIRONMENTAL RATINGS:

- TEMPERATURE:-55°C TO +85°C (OPERATING)
-65°C TO +125°C (STORAGE)
- HUMIDITY:MIL-STD-202F, METHOD 103B COND. B
- SHOCK:MIL-STD-202F, METHOD 213B COND. B
- VIBRATION:MIL-STD-202F, METHOD 204D COND. B
- ALTITUDE:MIL-STD-202F, METHOD 105C COND. B
- TEMPERATURE CYCLE:MIL-STD-202F, METHOD 107D COND. A

NOTE: SPECIFICATIONS WILL VARY OVER OPERATING TEMPERATURE
NOTE: THE ABOVE SPECIFICATIONS ARE SUBJECT TO CHANGE OR REVISION



ALL DIMENSIONS ARE IN INCHES
TOLERANCES:
XXX ±0.020
XXX ±0.010

REVISIONS				
ZONE	REV.	DESCRIPTION	DATE	APPROVED
-		ORIGINAL RELEASE JOB# 511250N	12/09/05	

AMERICAN MICROWAVE CORPORATION

7311-G GROVE ROAD
FREDERICK, MARYLAND 21704 USA
TEL: 301-662-4700 FAX: 301-662-4938
WEBSITE: www.americanmicrowavcorp.com
E-MAIL: sales@americanmicrowavcorp.com
ISO 9001:2000 CERTIFIED

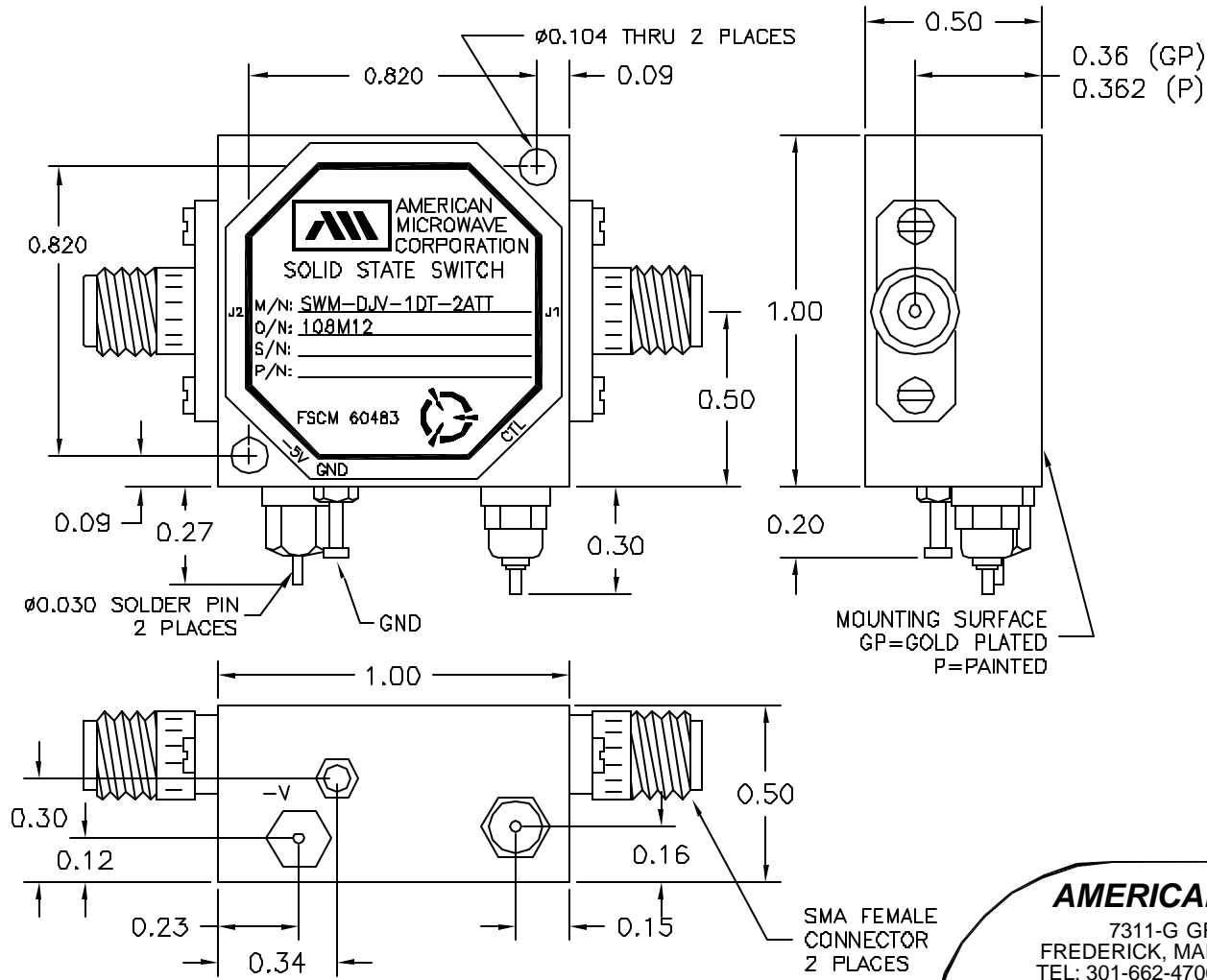


APPROVALS		DATE	TITLE		REV.
DRAWN	<i>FDS</i>	12/9/05	PRODUCT FEATURE SWM-DJV-1DT-2ATT OPTION: 108M12		-
CHECKED			SIZE	FSCM NO.	DWG NO.
ISSUED			A	60483	100-7563
			SCALE	SHEET 1 OF 4	

DESCRIPTION

AMC MODEL SWM-DJV-1DT-2ATT OPTION: 108M12 IS AN ABSORPTIVE/NON-REFLECTIVE SINGLE POLE SINGLE THROW SWITCH MODULE WITH VERY LOW VIDEO TRANSIENTS, ULTRA HIGH SPEED, HIGH ISOLATION AND WITH INTEGRAL TTL DRIVER DESIGNED TO OPERATE BETWEEN THE 1.8 TO 12 GHz FREQUENCY RANGE.

REVISIONS				
ZONE	REV.	DESCRIPTION	DATE	APPROVED
-		ORIGINAL RELEASE JOB# 511250N	12/09/05	



MECHANICAL OUTLINE

MOUNTING SURFACE
GP=GOLD PLATED
P=PAINTED

AMERICAN MICROWAVE CORPORATION

7311-G GROVE ROAD
FREDERICK, MARYLAND 21704 USA
TEL: 301-662-4700 FAX: 301-662-4938
WEBSITE: www.americanmicrowavecorp.com
E-MAIL: sales@americanmicrowavecorp.com
ISO 9001:2000 CERTIFIED



ALL DIMENSIONS ARE IN INCHES
TOLERANCES:
X.XX ±0.020
X.XXX ±0.010

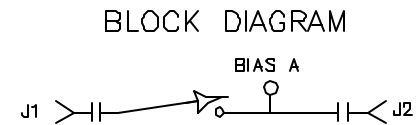
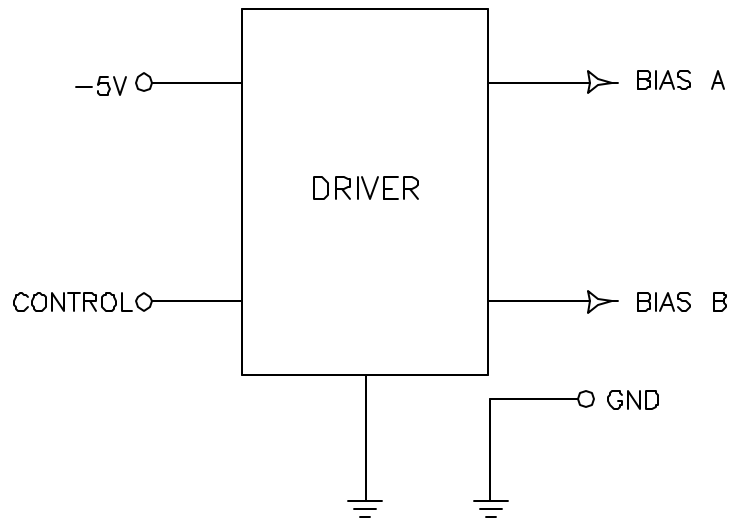
APPROVALS		DATE	TITLE		
DRAWN	<i>FDS</i>	12/9/05	MECHANICAL OUTLINE SWM-DJV-1DT-2ATT OPTION: 108M12 1.8-12 GHz, SINGLE POLE SINGLE THROW SWITCH		
CHECKED			SIZE	FSCM NO.	DWG NO.
ISSUED			A	60483	100-7563
			SCALE	N:S	SHEET 2 OF 4

DESCRIPTION

AMC MODEL SWM-DJV-1DT-2ATT OPTION: 108M12 IS AN ABSORPTIVE/NON-REFLECTIVE SINGLE POLE SINGLE THROW SWITCH MODULE WITH VERY LOW VIDEO TRANSIENTS, ULTRA HIGH SPEED, HIGH ISOLATION AND WITH INTEGRAL TTL DRIVER DESIGNED TO OPERATE BETWEEN THE 1.8 TO 12 GHz FREQUENCY RANGE.

REVISIONS				
ZONE	REV.	DESCRIPTION	DATE	APPROVED
	-	ORIGINAL RELEASE JOB# 511250N	12/09/05	

FUNCTIONAL BLOCK DIAGRAM



AMERICAN MICROWAVE CORPORATION

7311-G GROVE ROAD
 FREDERICK, MARYLAND 21704 USA
 TEL: 301-662-4700 FAX: 301-662-4938
 WEBSITE: www.americanmicrowavecorp.com
 E-MAIL: sales@americanmicrowavecorp.com
 ISO 9001:2000 CERTIFIED



APPROVALS		DATE	TITLE	
DRAWN		12/9/05	FUNCTIONAL BLOCK DIAGRAM	
CHECKED			SWM-DJV-1DT-2ATT	
ISSUED			OPTION: 108M12	
SIZE	FSCH. NO.	DWG. NO.	1.8-12 GHz, SINGLE POLE SINGLE THROW SWITCH	
A	60483	100-7563		
SCALE	N:S	SHEET	3 OF 4	